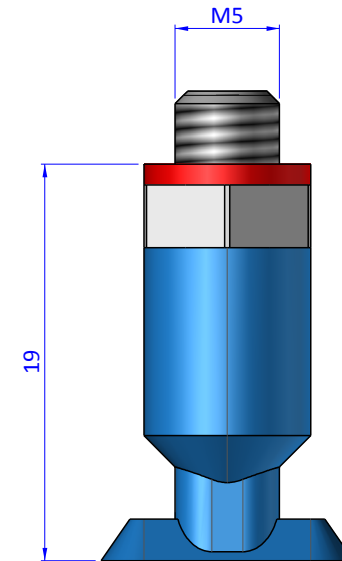
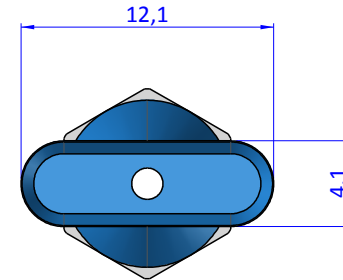
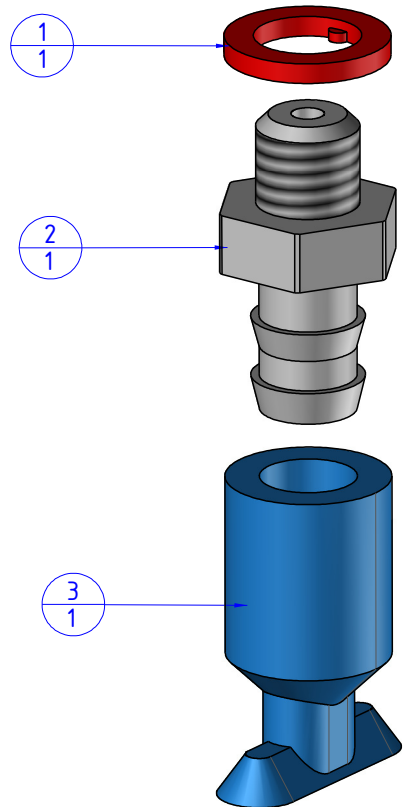


THE PROPERTY OF THE DRAWING IS ESTABLISHED BY LAW. IT IS FORBIDDEN TO PRODUCE OR SHOW IT TO THIRD PARTY, WITHOUT A WRITTEN AGREEMENT.

| Item | Name         | Q.ty |
|------|--------------|------|
| 1    | CA.08.09.05  | 1    |
| 2    | CA.08.09.040 | 1    |
| 3    | CA.08.39.001 | 1    |



Format A3

UNI 936-76

|                   |                  |                  |         |        |
|-------------------|------------------|------------------|---------|--------|
|                   |                  | DESIGNED FROM    |         | REVIEW |
|                   |                  | FPS Automation   |         | A      |
| GENERAL TOLERANCE |                  | DATE             | WEIGHT  |        |
| UNI - ISO 2768    |                  | 21/03/2019       | 0,001kg |        |
| CLASSE f          | DESCRIPTION      | CODE             |         |        |
|                   | KIT.08.39.L12.40 | KIT.08.39.L12.40 |         |        |